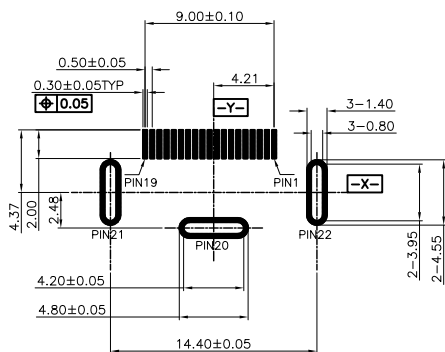
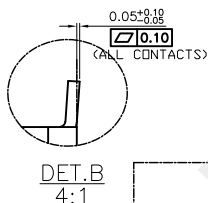
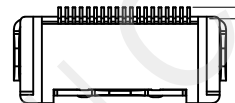
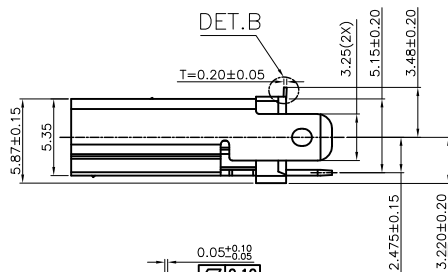
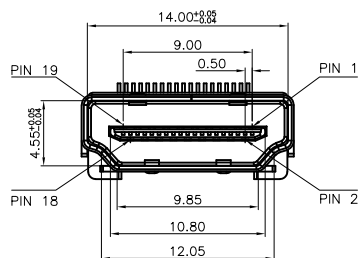
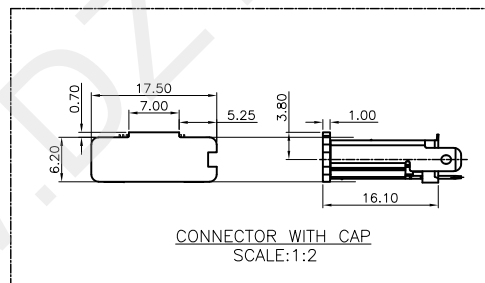


NOTES:

- ELECTRICAL CHARACTERISTICS:
 - CURRENT RATING: 0.5A Max
 - VOLTAGE RATING: 40V AC Max
 - INITIAL CONTACT RESISTANCE EXCLUDING CONDUCTOR RESISTANCE: 30mΩ MAX. AFTER TEST: CHANGE OF 10mΩ MAX.
 - INSULATION RESISTANCE: 100MΩ MIN. @ 500V DC.
 - DIELECTRIC WITHSTANDING VOLTAGE: 500V AC FOR 1 MINUTE.
- MECHANICAL CHARACTERISTICS:
 - INSERTION FORCE: 4.5Kgf MAX.
 - WITHDRAWAL FORCE: 1.0~4.0Kgf.
- LIFE TEST: 10,000 CYCLES.
- TEMPERATURE
 - OPERATING TEMPERATURE: -40℃~+85℃
 - STORAGE TEMPERATURE: -60℃~+105℃
- SOLDERABILITY: REFLOW SOLDERING OVEN TEMPERATURE 260° 5sec



RECOMMENDED PCB LAYOUT(TOP VIEW)
THICKNESS=1.20±0.05mm (TOP VIEW)DEFAULT TOL ±0.05

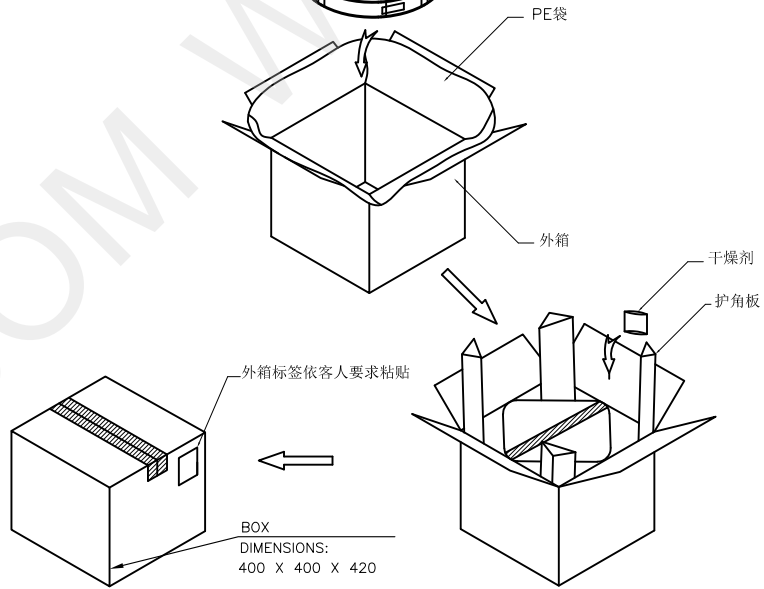
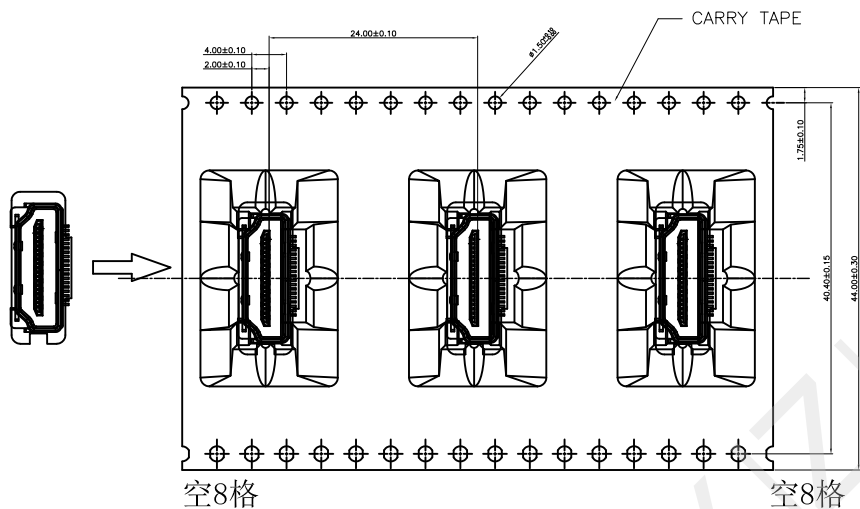
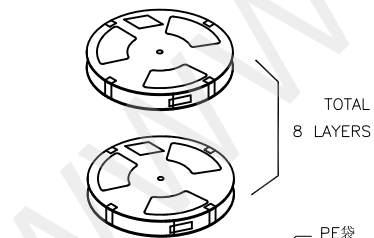
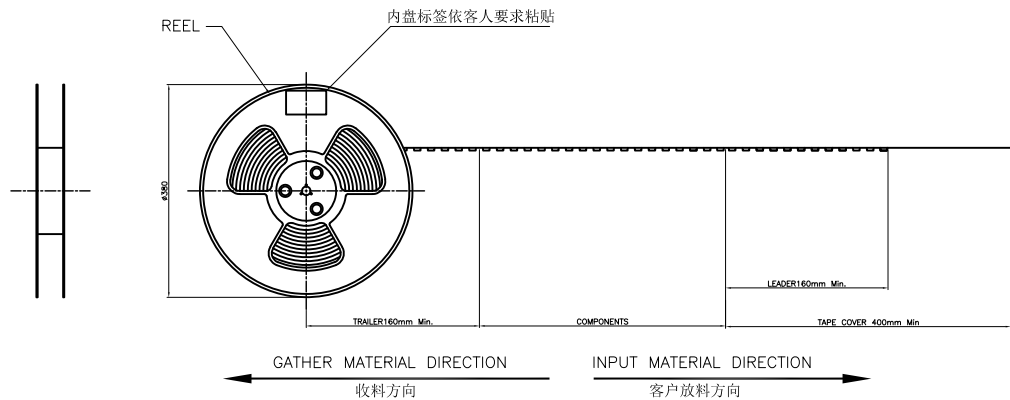


C	CONTACT	19	C2680-H	GOLD 1u" Min ON CONTACT AREA, MATTE TIN 80u" ON SOLDER AREA, 50u" MIN NI UNDER PLATING OVERALL
B	SHELL	1	SUS201	50u" MIN. NICKEL
A	HOUSING	1	LCP+30%G.F UL 94V-0	BLACK
NO	DESCRIPTION	QTY	MATERIAL	PLATING & COLOR




深圳市华宇创精密电子有限公司

TOLERANCE: X.X ±0.30 X.XX ±0.25 X.XXX ±0.15 X' ±2' X.X' ±0.5'	DRAWN BY : 陈一鸣	DATE : 2014-02-23	PART NAME: HDMI2.1 A TYPE 立式贴片15.0H
	CHECKED BY: 马跃	DATE : 2014-02-23	PART NO. HVC177-HDMI A19-150
UNIT: mm [inch] SCALE:1:1 SIZE: A4	APPROVED BY: 邱敏	DATE : 2014-02-23	DRAW NO: HVC-2606161512
			SHEET NO. 1 OF 1




150	8	1200
PCS/ REEL	REELS/ CARTON	QUANTITY

NOTE:
 1. PEELING SPEED: 300mm/MINUTE
 2. PEELING RESISTANCE: 10g~130g
 3. PEELING ANGLE: 165°~180°



深圳市华宇创精密电子有限公司

TOLERANCE: X.X ±0.30 X.XX ±0.25 X.XXX ±0.15 X' ±2" X.X" ±0.5"	DRAWN BY : 陈一鸣	DATE : 2014-02-23	PART NAME: 包装图	
	CHECKED BY : 马跃	DATE : 2014-02-23	PART NO.	
 UNIT: mm [inch] SCALE: 1:1 SIZE: A4	APPROVED BY : 邱敏	DATE : 2014-02-23	DRAW NO:	
			SHEET NO.	1 OF 1